

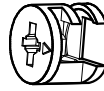
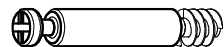
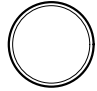



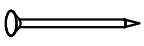
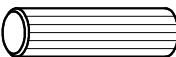
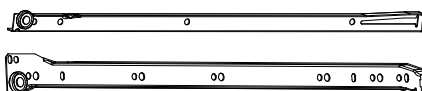

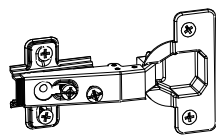


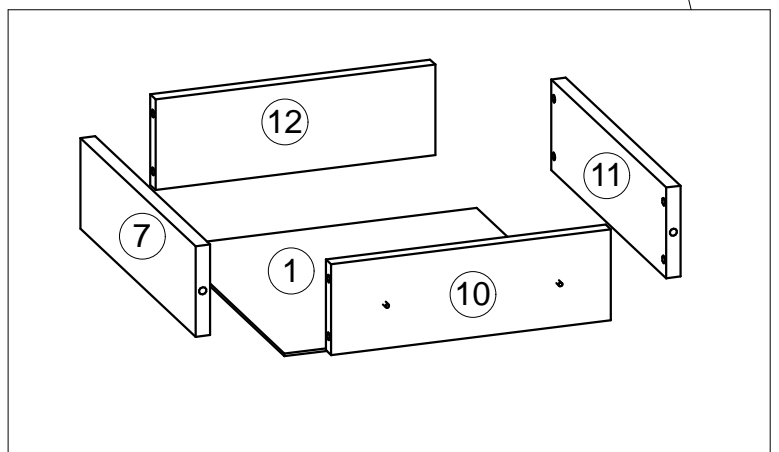
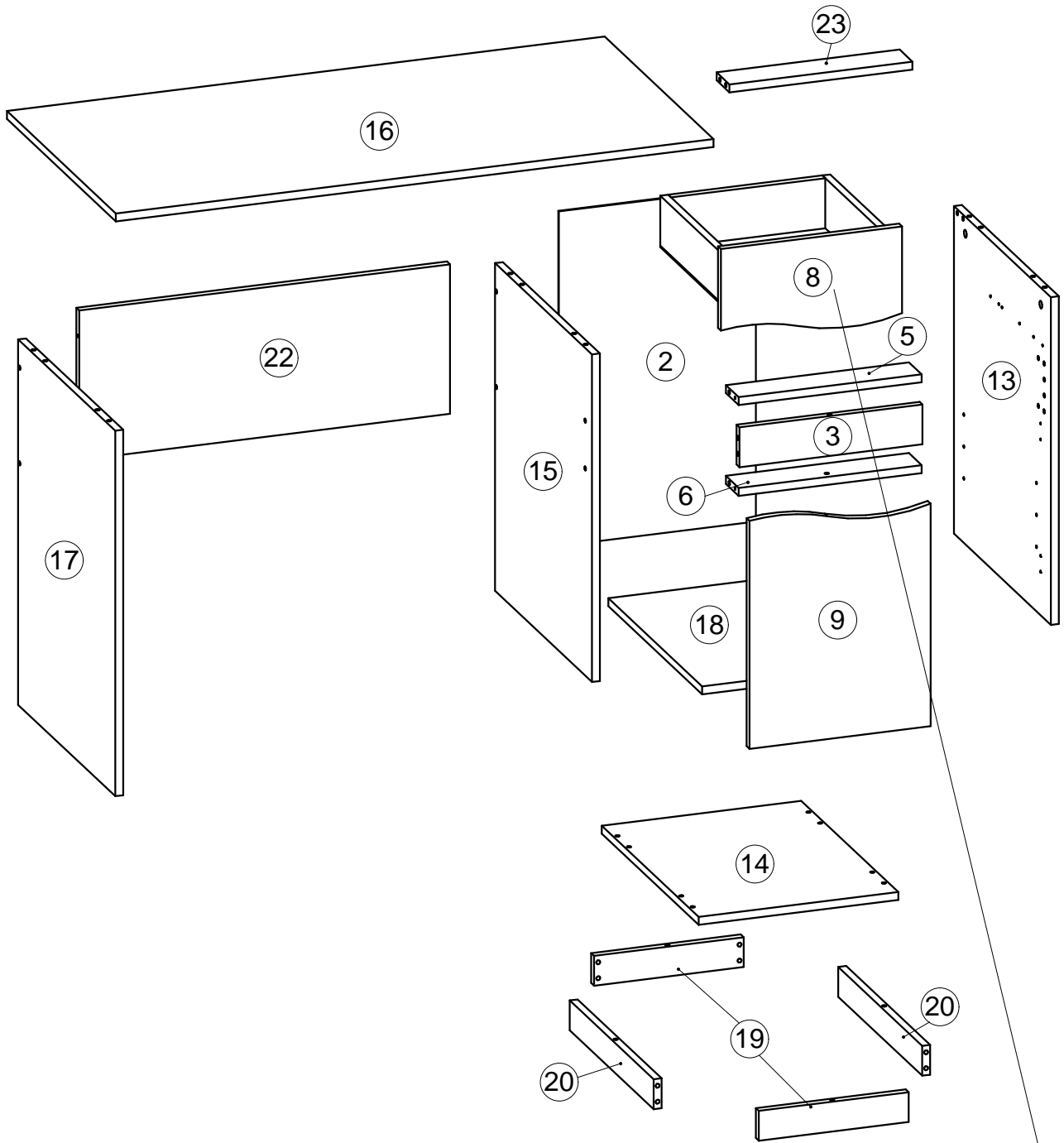
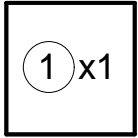
 Ø6,3x50 mm <b>A1 x 13</b>	 Ø12 mm <b>A2 x 13</b>	 4 mm <b>A3 x 1</b>	 Ø15x12 mm <b>B1 x 6</b>	 Ø5x44 mm <b>B2 x 6</b>
 Ø20 mm <b>B3 x 6</b>	 Ø4x16 mm <b>D1 x 14</b>	 Ø4x30 mm <b>D2 x 2</b>	 Ø3x16 mm <b>D3 x 6</b>	 Ø1,6x25 mm <b>F x 48</b>
 Ø8x36 mm <b>G x 45</b>	 <b>K x 1</b>		 Ø5x16 mm <b>L x 4</b>	 <b>M x 2</b>
 Ø15 mm <b>N x 6</b>	 50g <b>R x 1</b>			

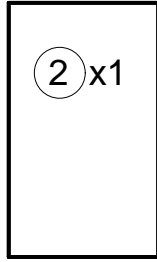


# Box 1

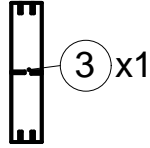
348x340x3 mm



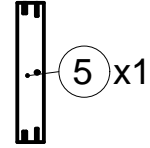
672x396x3 mm



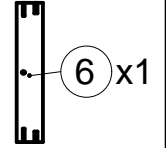
368x80x16 mm



368x70x16 mm

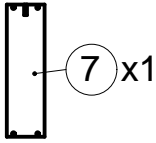


368x70x16 mm

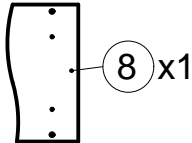


Fittings & Tools

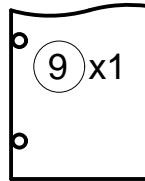
350x100x16 mm



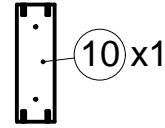
363x188x16 mm



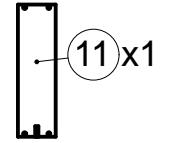
363x461x16 mm



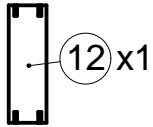
310x100x16 mm



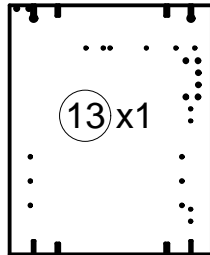
350x100x16 mm



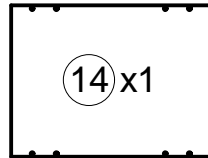
310x100x16 mm



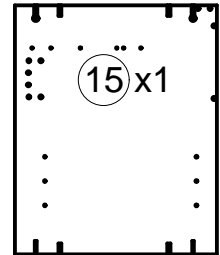
658x535x16 mm



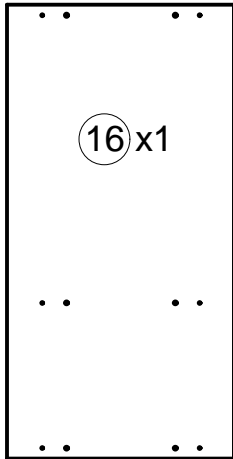
535x400x16 mm



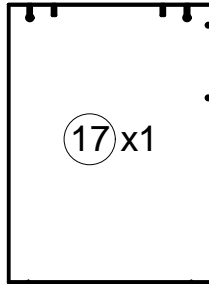
658x535x16 mm



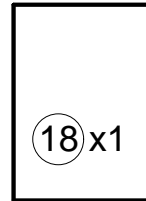
1200x600x16 mm



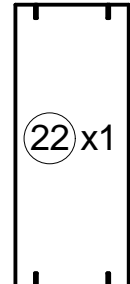
734x535x16 mm



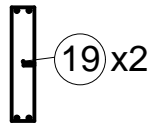
517x368x16 mm



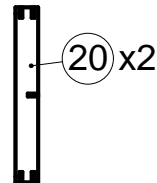
745x300x16 mm



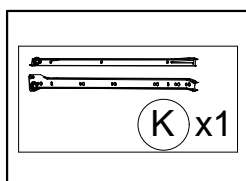
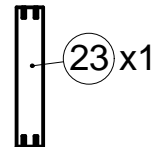
60x300x16 mm



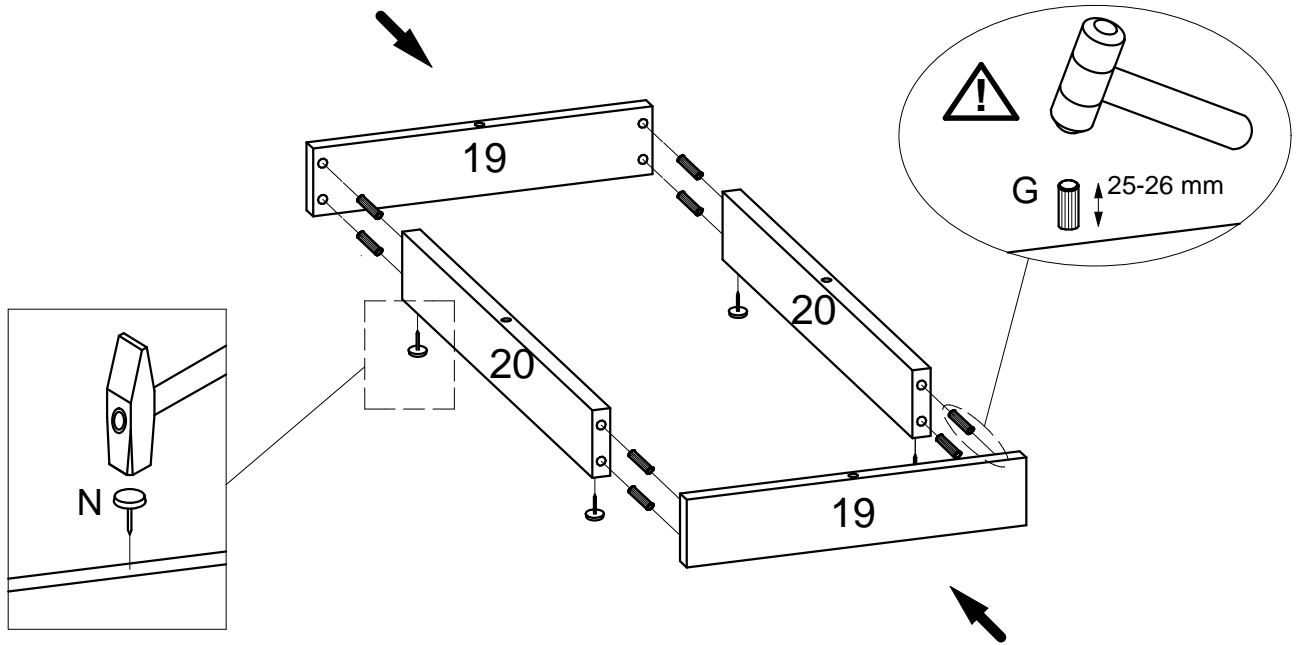
60x463x16 mm



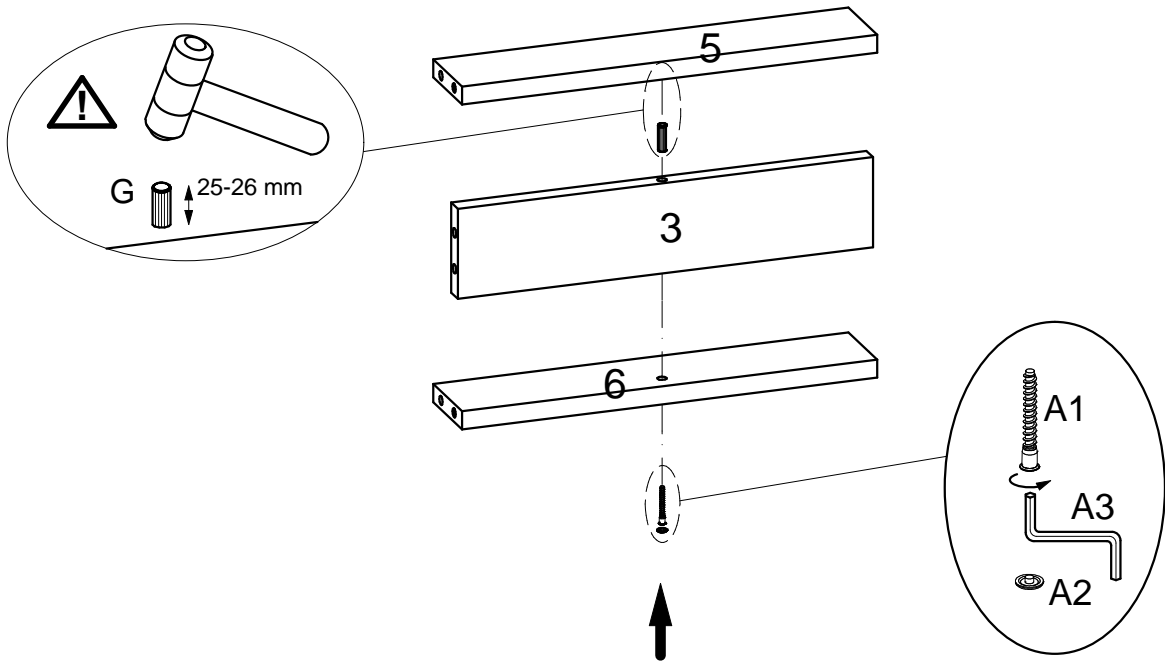
368x70x16 mm



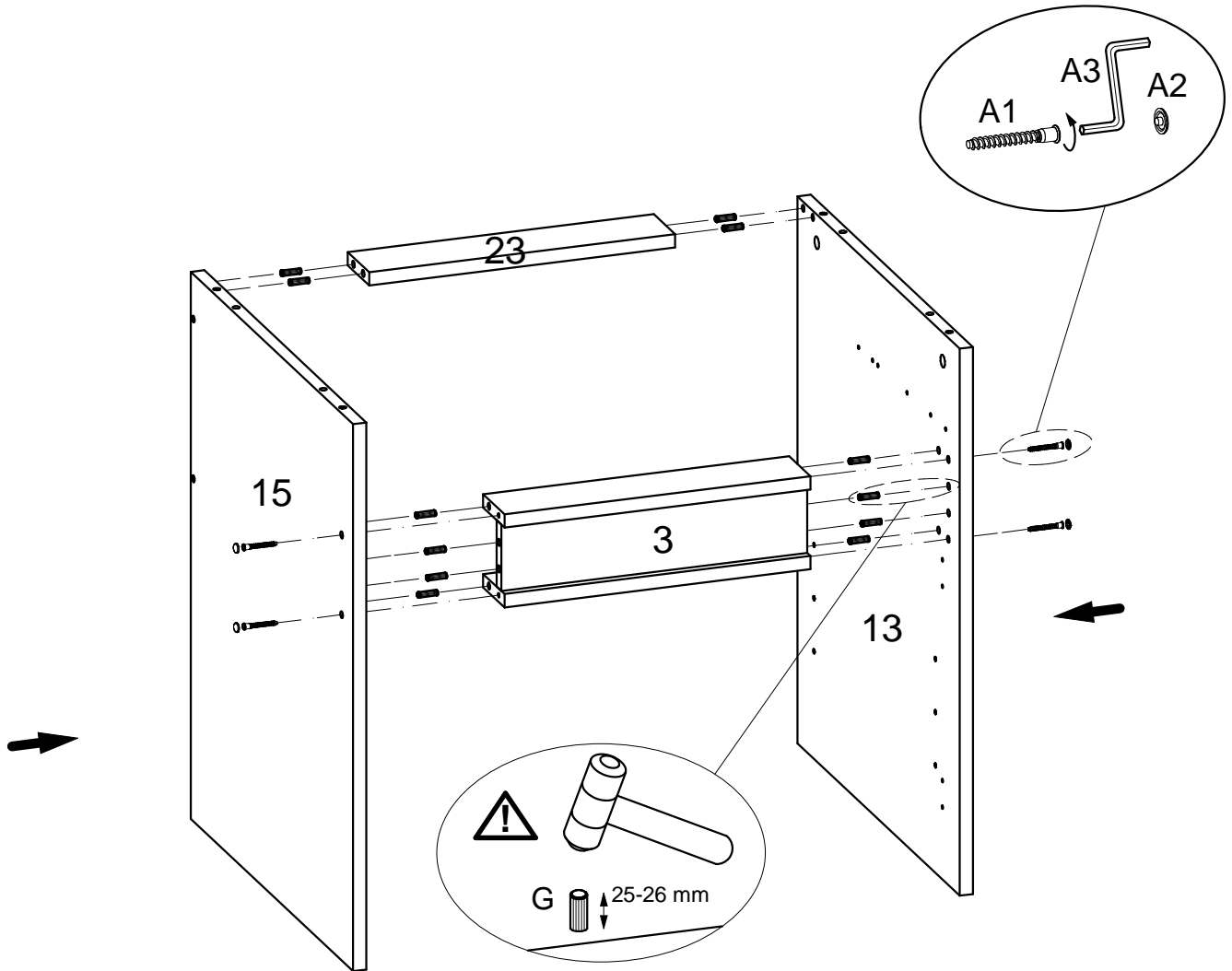
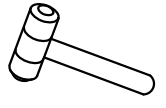
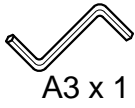
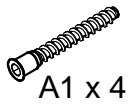
1



2



3



4



A1 x 4



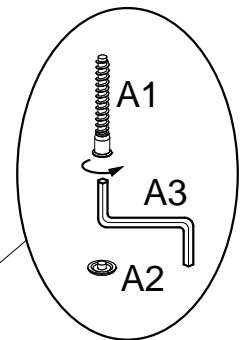
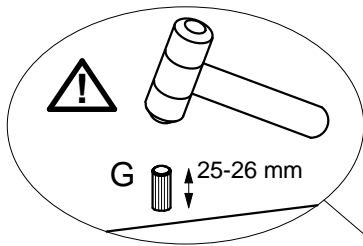
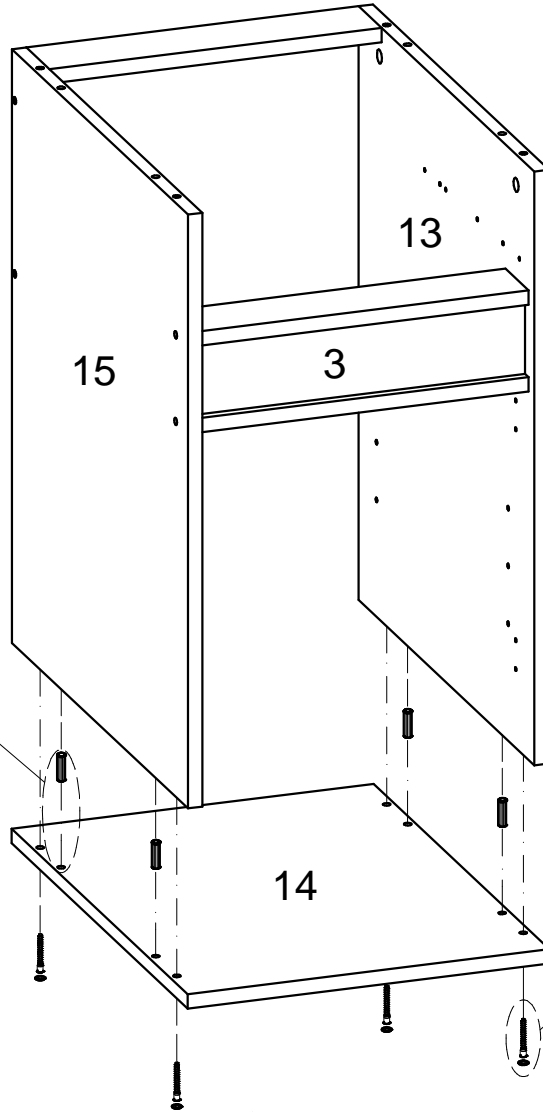
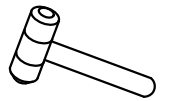
A2 x 4



A3 x 1

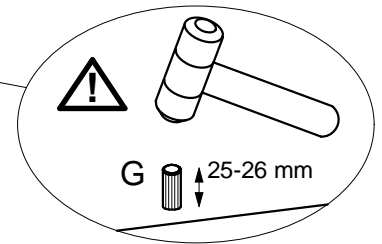
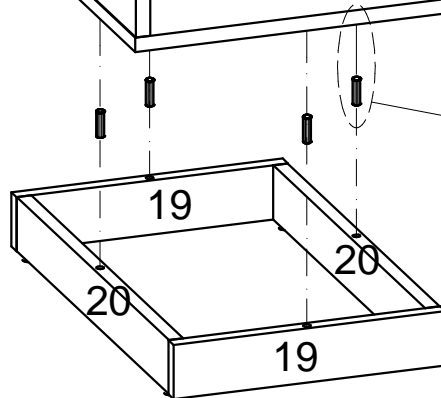
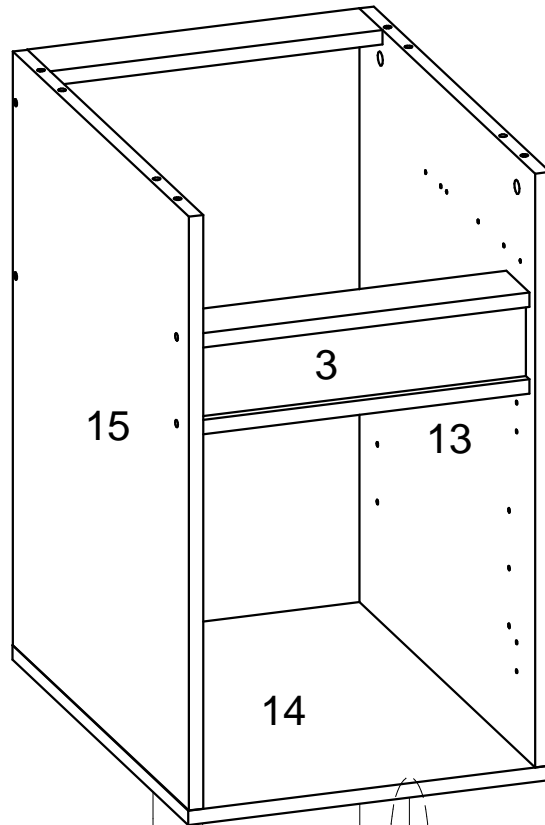
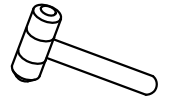


G x 4

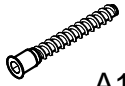




5



6



A1 x 4



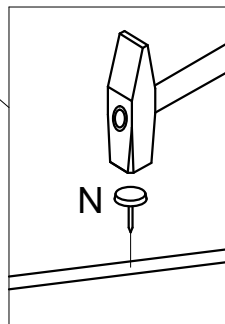
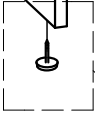
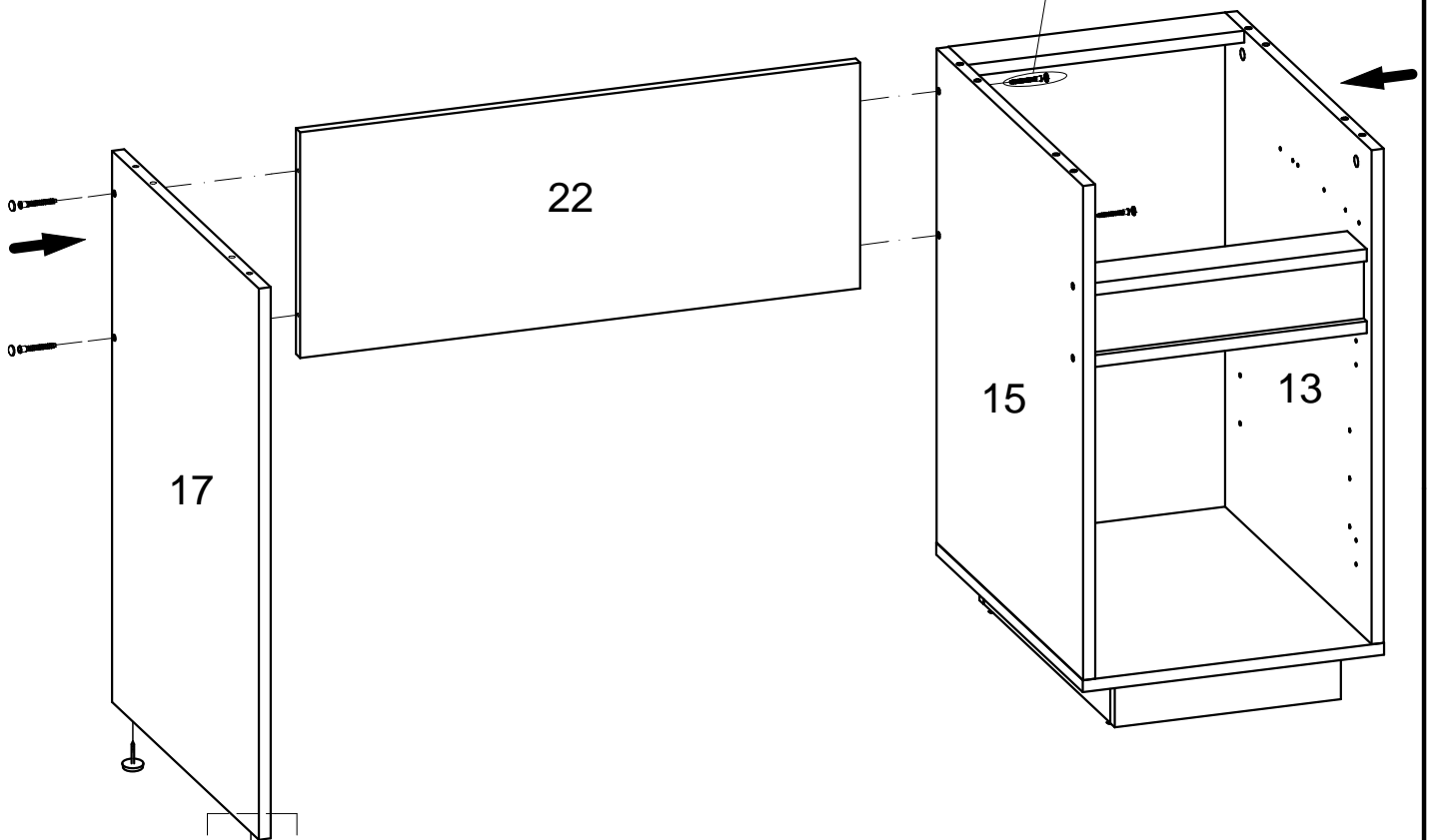
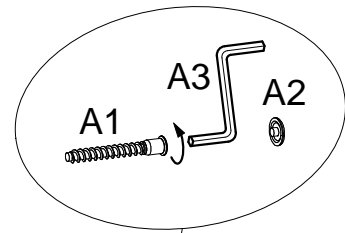
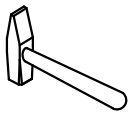
A2 x 4



A3 x 1



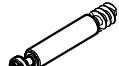
N x 2



7



B1 x 6



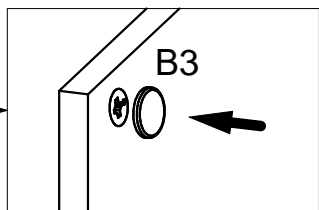
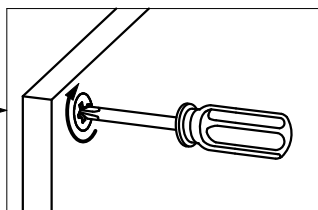
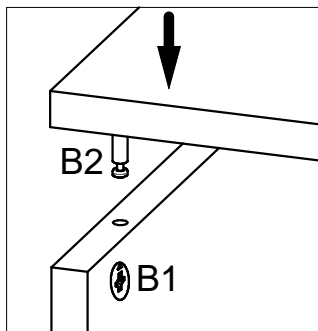
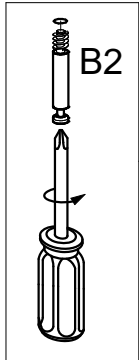
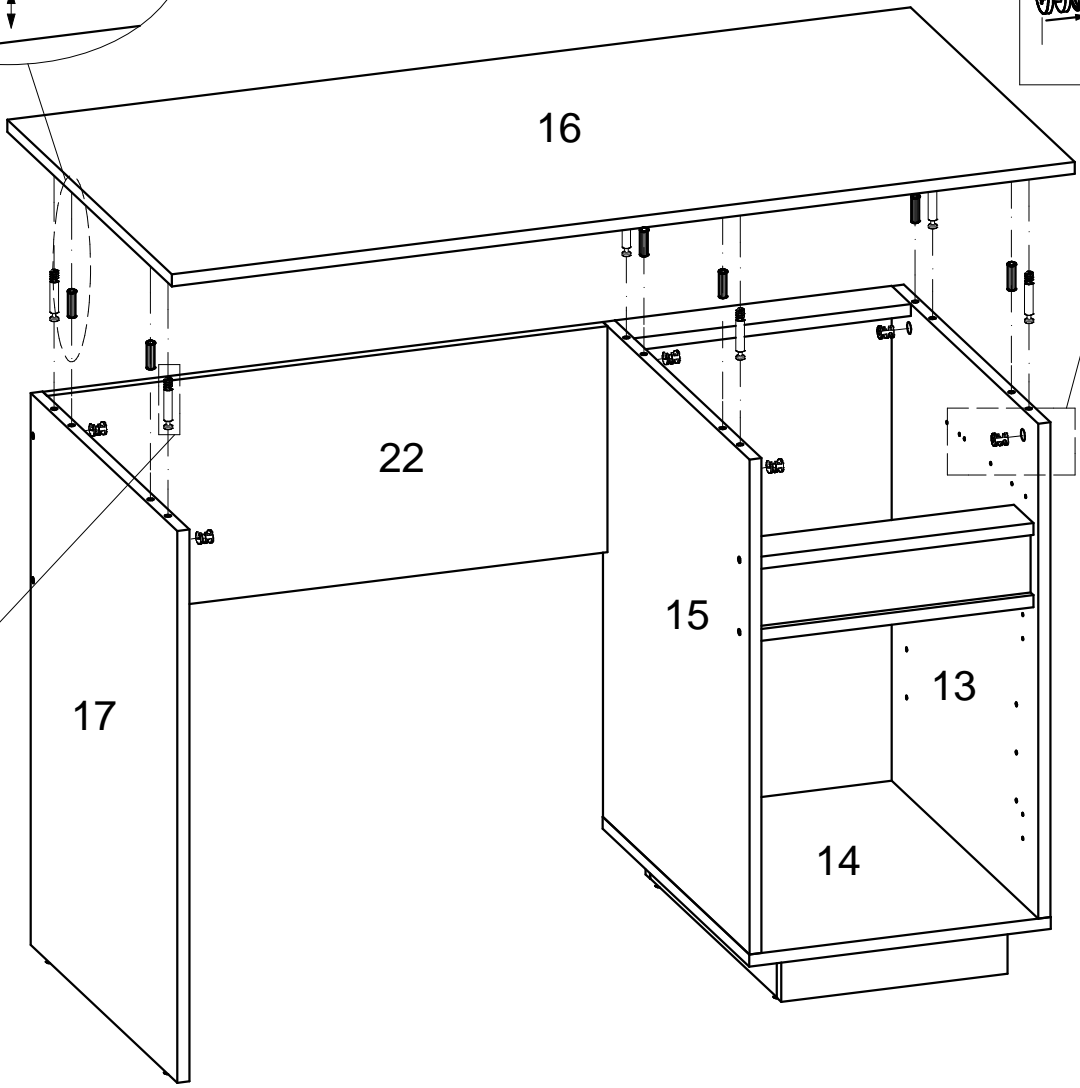
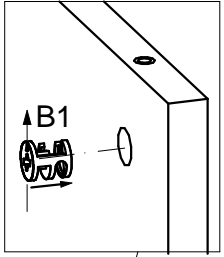
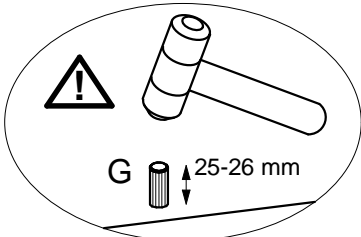
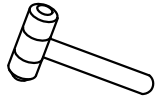
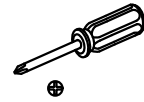
B2 x 6



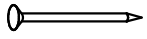
B3 x 6



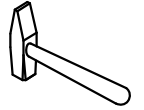
G x 6



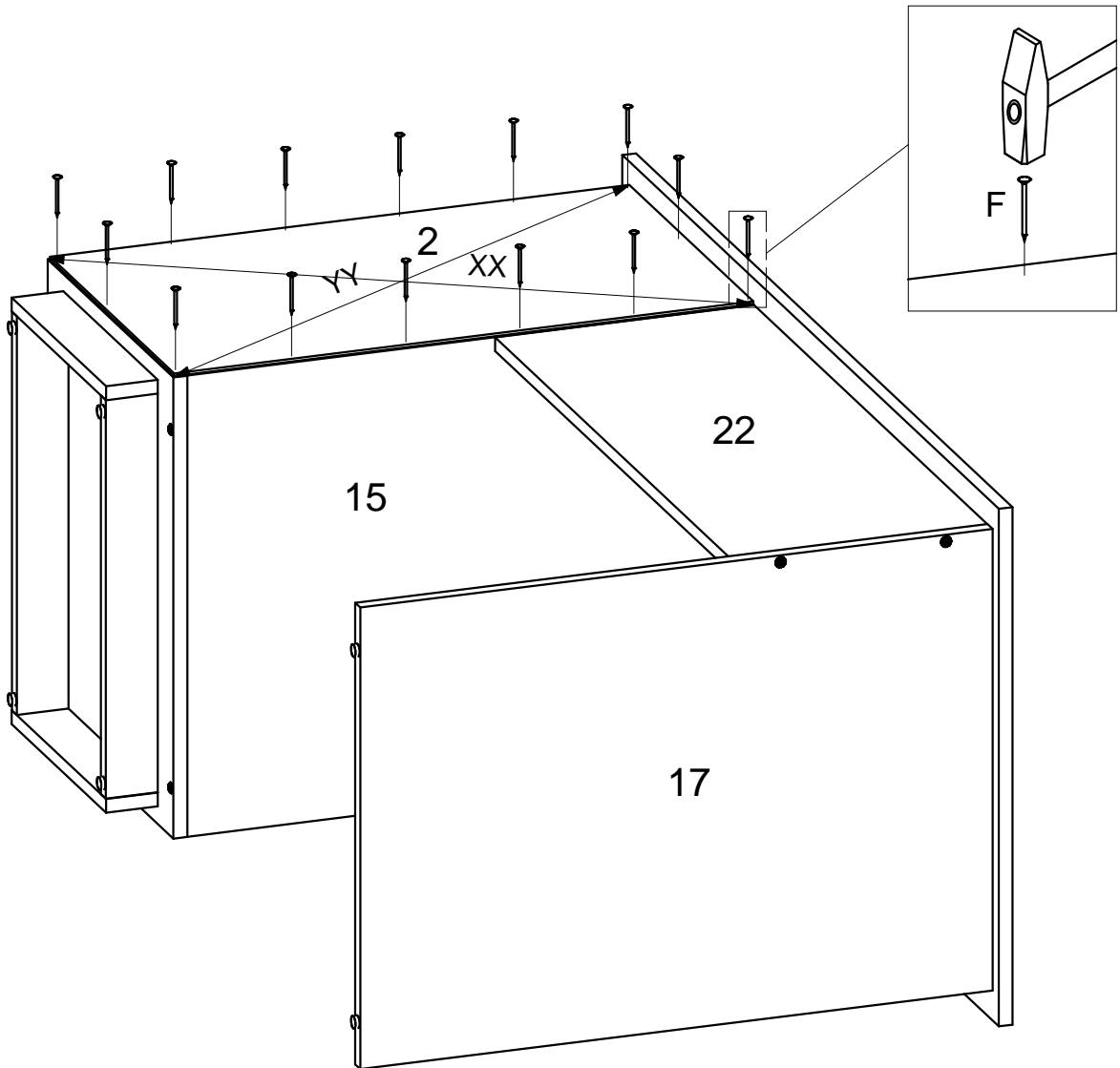
8








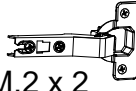

F x 26

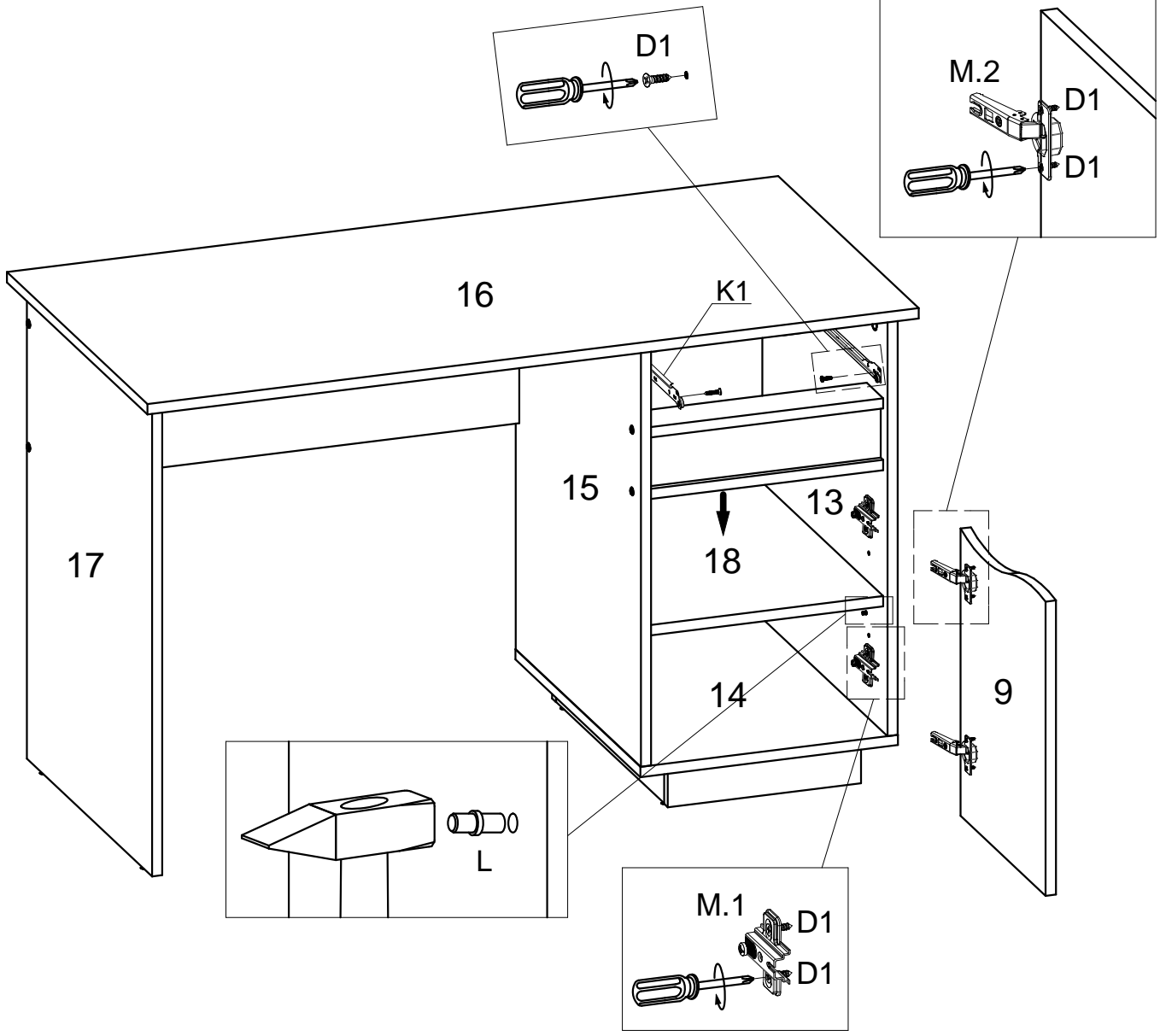
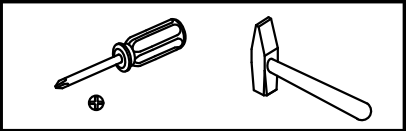


⚠ XX=YY≅90°

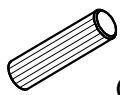


9

-  D1 x 8
-  D3 x 6
-  K2 x 1
-  K1 x 1
-  L x 4
-  M.2 x 2
-  M.1 x 2



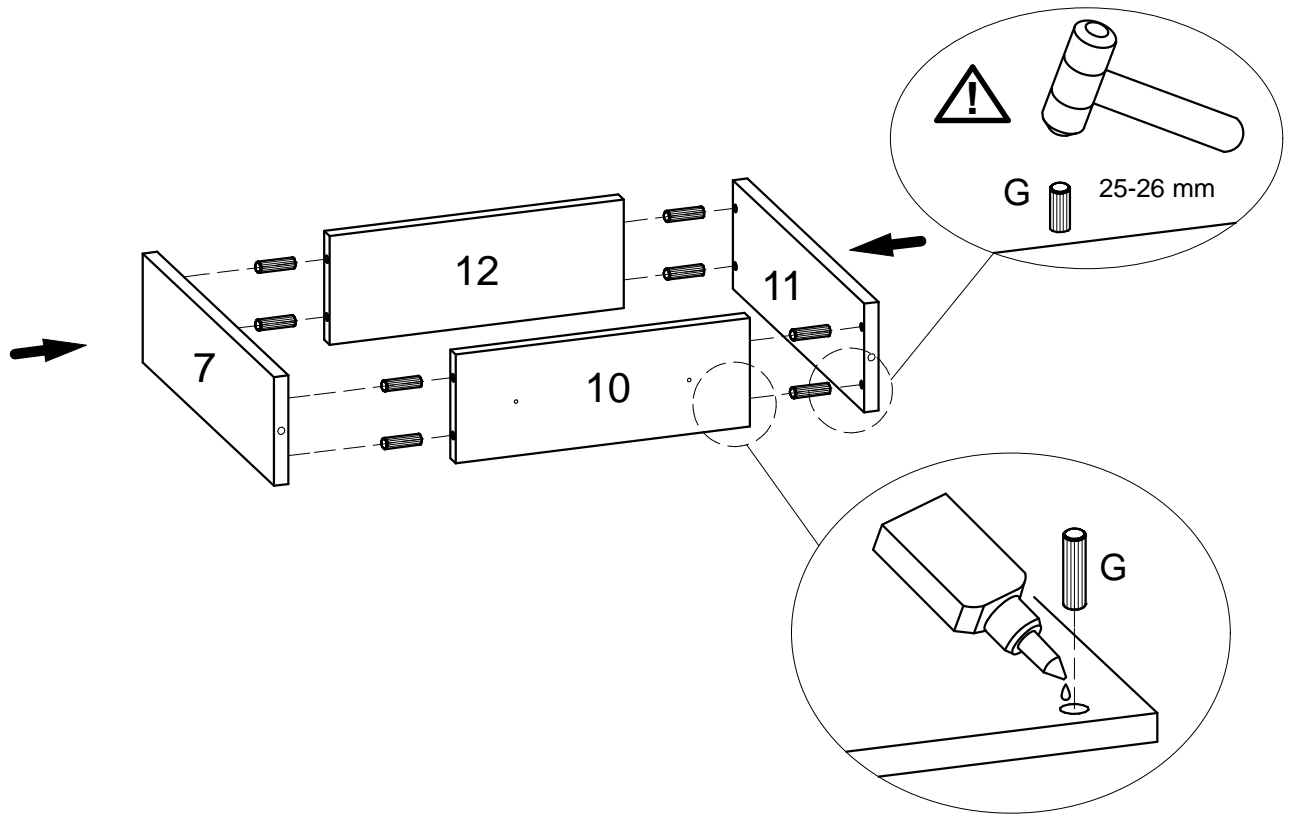
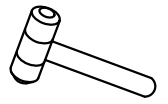
10



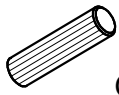
G x 8



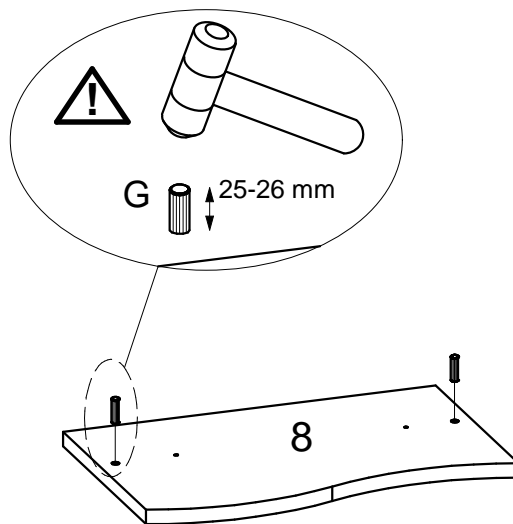
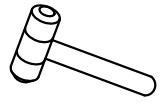
R x 1



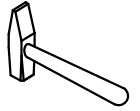
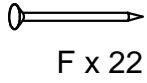
11



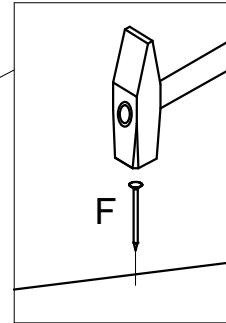
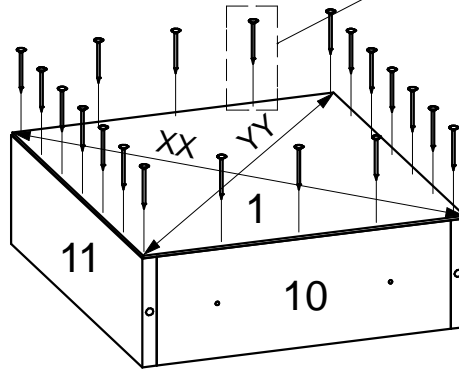
G x 2



12



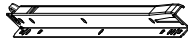
⚠ XX=YY≅90°



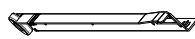
13



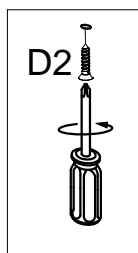
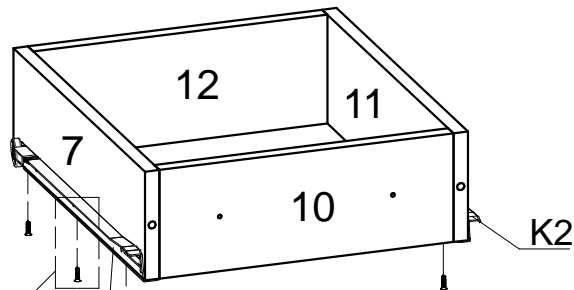
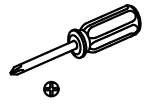
D1 x 6



K2 x 1



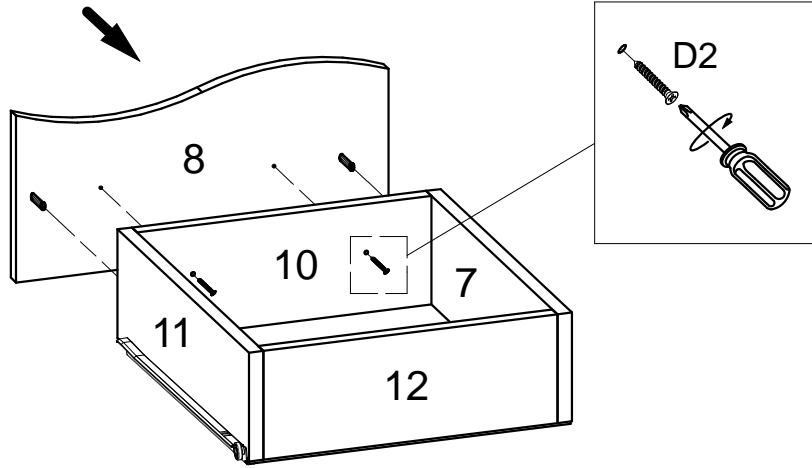
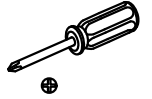
K2 x 1



14



D2x2



15

